



WHISPURE™ TOWER AIR PURIFIER

Use & Care Guide

For questions about features, operation/performance, parts, accessories or service call : **1-866-666-1168** or visit our website at **www.whirlpoolairpurifiers.com**

To ensure proper use of this appliance and for your safety, please read the following instructions completely before operating this appliance.

Model No. : WPT60 / WPT80

TABLE OF CONTENTS

AIR PURIFIER SAFETY	2
INSTALLATION REQUIREMENTS.....	3
Electrical Requirements.....	3
Location Requirements	3
AIR PURIFIER USE.....	3
Using the Controls.....	3
AIR PURIFIER CARE.....	4
Cleaning	4
Filter Replacement.....	4
TROUBLESHOOTING	5
ASSISTANCE OR SERVICE.....	5
In the U.S.A. and Canada.....	5
Replacement Filters.....	5
Quiet 30-Day Money-Back Guarantee.....	5
WARRANTY	6



This product earned the ENERGY STAR label by meeting strict energy efficiency guidelines set by the U.S. EPA. Room air cleaners have demonstrated the potential for improving air quality and providing health benefits. EPA does not endorse manufacturer claims regarding the degree to which a specific product will produce healthier indoor air.

The energy efficiency of this ENERGY STAR qualified model is measured based on a ratio between the model's CADR for smoke and the electrical energy it consumes, or CADR/Watt.

AIR PURIFIER SAFETY

Your safety and the safety of others are very important.

We have provided many important safety messages in this manual and on your appliance. Always read and obey all safety messages.



This is the safety alert symbol.

This symbol alerts you to potential hazards that can kill or hurt you and others.

All safety messages will follow the safety alert symbol and either the word "DANGER" or "WARNING."

These words mean:

⚠ DANGER

You can be killed or seriously injured if you don't immediately follow instructions.

⚠ WARNING

You can be killed or seriously injured if you don't follow instructions.

All safety messages will tell you what the potential hazard is, tell you how to reduce the chance of injury, and tell you what can happen if the instructions are not followed.

IMPORTANT SAFETY INSTRUCTIONS

WARNING: To reduce the risk of fire or electrical shock, do not use the air purifier with any solid-state speed control device.

WARNING: To reduce the risk of fire or electrical shock and injury to persons, do not use in a window.

WARNING: This appliance has a polarized plug (one blade is wider than the other). To reduce the risk of fire or electrical shock, this plug is intended to fit into a polarized outlet only one way. If the plug does not fit fully into the outlet, reverse the plug. If it still does not fit, contact a qualified electrician. Do not attempt to defeat this safety feature.

WARNING: Do not operate air purifier with a damaged cord or plug. Discard air purifier or return to an authorized service facility for examination or repair.

Unplug air purifier before servicing.

WARNING: Do not run cord under carpeting. Do not cover cord with throw rugs, runners, or similar coverings.

Do not route cord under furniture or appliances. Arrange cord away from traffic area and where it will not be tripped over.

READ AND SAVE THESE INSTRUCTIONS

INSTALLATION REQUIREMENTS

Electrical Requirements

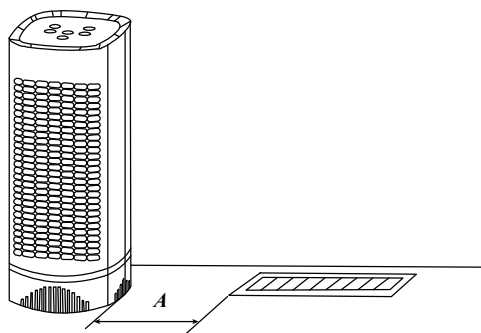
Electrical Connection

To properly install air purifier, check the type of the electrical connection and follow the instructions given below:

- Plug the 2 prong power cord into a grounded 120V outlet.
- The use of a time-delay fuse or time-delay circuit breaker is recommended.
- This appliance has a polarized plug (one blade is wider than the other). To reduce the risk of electric shock, this plug is intended to fit into a polarized outlet only one way. If the plug does not fit fully into the outlet, reverse the plug. If it still does not fit, contact a qualified electrician. Do not attempt to defeat this safety feature.

Location Requirements

- Place the appliances in a level surface at least 6" (15.2 cm) from heat sources such as ranges or heaters.
- Do not block air openings or place air cleaner on a soft surface such as a bed or sofa.
- Operate indoors only.



A. 6" (15.2 cm) minimum clearance

AIR PURIFIER USE

NOTE: Before operating the air purifier, record the date of installation on the HEPA filter. Under normal conditions, the HEPA filter should be replaced annually, and the Pre-filter should be replaced every 3 months. To remove and replace either filter, refer "Filter Replacement" in the "Air Purifier Care" section.



Using the Controls

1. Plug the 2 prong power cord into a grounded 120V outlet. Power indicator light will turn red (Standby).
2. Press Power to start the air purifier. Power indicator light will turn from red to white.
3. Press Power to stop the air purifier. Power indicator light will turn from white to red.

Fan Speed

Press FAN SPEED until the indicator light for the desired speed is "ON"

Fan Speed	Result
Low	Best product sound
Medium	Slower cleaning power
High	Maximum cleaning power

Programmable Timer



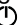

The Programmable Timer can be turned "ON" or "OFF" based on the countdown time options of 2, 4, 6, or 8 hours.

To set, press Timer until the indicator light (2/4/6/8) is "ON" for the desired countdown.

To exit, press Timer until all the indicator lights are "OFF".

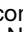
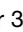
NOTE: Air purifier will automatically turn "OFF" when the programmed time has elapsed.

Sleep Mode

To activate sleep mode, press SLEEP . Sleep mode runs on Low (L) fan speed with all control panel lights dimmed. To exit, press SLEEP , SPEED , or POWER .

Control Lock

The Control Lock locks the controls to prevent unintended changing of the settings when the air purifier is "ON".

1. Press and hold SLEEP  for 3 seconds to lock. The Control Lock indicator light will turn "ON". No selection can be made.
2. Press and hold again SLEEP  for 3 seconds to unlock. The Control Lock indicator light will turn "OFF". Settings can now be changed and the unit turned "ON" or "OFF".

Filter Status Lights

The Pre-filter and HEPA filter light status will change to red during the time to replace the filters, refer "Filter Replacement" in the "Air Purifier Care" section.

AIR PURIFIER CARE

WARNING





Electrical Shock Hazard

Disconnect power before servicing.

Replace all parts and panels before operating.

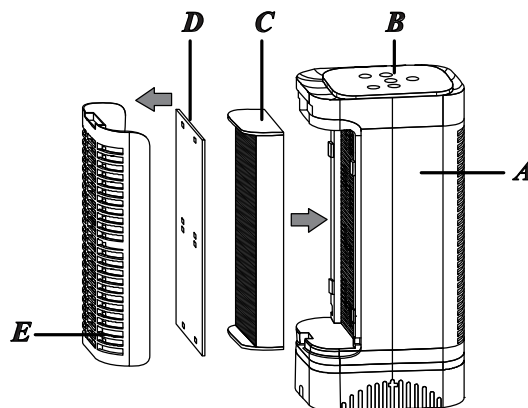
Failure to do so can result in death or electrical shock.

Cleaning

1. Press POWER  to turn "OFF" the air purifier.
2. Unplug air purifier or disconnect power.
3. Press the release tabs on the rear of the air purifier. Gently pull the rear grille away from the unit and remove.
4. Remove both filters and set aside. Do not try to wash and reuse either the HEPA filter or the Pre-filter.
5. Clean the air purifier with a soft, damp cloth.
6. Gently wash the rear grille in soapy water.
NOTE: The grille is not dishwasher safe.
7. Reassemble the filters as shown in previous illustration.
8. Place the bottom tabs on the rear grille into the bottom slots of the air purifier base. Press the top of the grille until the grille locks into the place.
9. Plug in air purifier or reconnect power.
10. Press POWER  to start the air purifier.




Filter Replacement

NOTE: The filter indicator lights on the top of the air purifier will glow red and flash when it is time to replace either of the Pre-filter or the HEPA filter. For the most of the efficient operation of the air purifier, under normal conditions, it is recommended to replace the Pre-filter every 3 months and the HEPA filter every year. Refer "Replacement Filters" in the "Assistance or Service" section.



A. Mainframe assembly
B. Controls
C. HEPA filter
D. Pre-filter
E. Rear grille

invalidate the warranty.

1. Press POWER  to turn "OFF" the air purifier.
2. Unplug air purifier or disconnect power.
3. Press the release tabs on the rear of the air purifier. Gently pull the rear grille away from the unit and remove.
4. Remove and replace the indicated filter. Install the new HEPA filter in the same direction shown by the arrow located on the filter frame. Install the new Pre-filter by placing it on the tabs.
NOTE: Do not try to wash and reuse either the HEPA filter or the Pre-filter.
5. Place the bottom tabs on the rear grille into the bottom slots of the air purifier base. Press the top of the grille until the grille locks into the place.
6. Plug in air purifier or reconnect power.
7. Press POWER  to start the air purifier.
8. Press either the PRE-FILTER or the HEPA FILTER button  for 3 seconds to turn the filter indicator light(s) "OFF" and reset timer.

NOTE: The filters may need to be replaced most frequently in smoky or dusty environments.

TROUBLESHOOTING

First try the solutions suggested here. If you need further assistance or more recommendations, please call 1-866-666-1168.

Air purifier will not run

■ **Check the following:**

Is the air purifier turned "ON"?

Is the 2 prong power cord plugged into a grounded outlet?

Check the household fuse is blown, or the circuit is tripped.

Replace the fuse or reset the circuit breaker. If problem occurs, contact an electrician.

Use a time delay fuse or time delay circuit breaker.

ASSISTANCE OR SERVICE

Before calling for assistance or service, please check "Troubleshooting." It may save the cost of a service call. If still need help, follow the instructions below.

During contact, be aware of the purchase date and the complete model and the serial number of the appliance. This data will be required to respond to the request.

In the U.S.A. and Canada

Contact the Customer Service Center toll free: **1-866-666-1168**.

Our consultants provide assistance with:

- Features and specifications on our full line of appliances.
- Installation information.
- Use and maintenance procedures.
- Accessory and repair parts sales.

- Specialized customer assistance (Spanish speaking, hearing impaired, limited vision, etc.).
- Referrals to local dealers, repair parts distributors and service companies. Designated service technicians are trained to fulfill the product warranty and provide after-warranty service, anywhere in the United States and Canada.

To locate the designated service company in local area, check the telephone directory Yellow Pages.

Replacement Filters

Replacement filters may be ordered by calling our Customer Service Center at **1-866-666-1168**.

Visit our **website www.whirlpoolairpurifiers.com**.

NOTE: This information is also located on the HEPA filter for your convenience.

Air Purifier Model No.	HEPA Filter Replacement Part No.	Pre-Filter Replacement Part No.
WPT60(X)	1183600	817600
WPT80(X)	1183800	817800

Note: (X) is optional as the model color designator.

Quiet 30-Day Money-Back Guarantee

For 30 days from the date of delivery, if you are not completely satisfied that your new Whirlpool® Whispure™ air purifier is quieter than your previous high-efficiency air purifier, Aroma International Limited will take it back and refund the full purchase price to you. (Finance and shipping charges are not included.) Contact the Customer Service Center toll-free at **1-866-666-1168** for Money-Back Guarantee procedures.

MANUFACTURER'S FIVE-YEAR LIMITED WARRANTY

ONE YEAR LIMITED WARRANTY

For one year from the date of delivery, if the air purifier fails when operated and maintained according to instructions attached to or furnished with the product, Aroma International Limited will repair or, at our option, replace your air purifier. Your replacement unit is covered by our one year limited warranty. This warranty does not cover the replacement HEPA (High Efficiency Particulate Air) filter or pre-filter. Replace the filter regularly. The use of a non Whirlpool filter may invalidate the warranty. Keep this book and your sales receipt together for future reference. You must provide proof of purchase and delivery date for in-warranty service.

SECOND THROUGH FIFTH YEAR LIMITED WARRANTY ON AIR PURIFIER MOTOR

For five years from the date of delivery, if the air purifier motor fails when operated and maintained according to instructions attached to or furnished with the product, Aroma International Limited will repair or, at our option, replace your air purifier.

Aroma International Limited will not pay for:

1. Service calls to instruct you on how to use your air purifier, to replace house fuses or correct house wiring or reset circuit breakers, or to replace owner accessible air filters.
 2. Replacement when your air purifier is used in other than normal, single-family household use.
 3. Damage resulting from accident, alteration, misuse, abuse, fire, floods, acts of God, improper installation, installation not in accordance with local electrical codes, or use of products not approved by Aroma International Limited.
 4. Replacement parts, repair labor costs and/or replacement of a "failed" air purifier for units operated outside the United States and Canada.
 5. Repairs to parts or systems resulting from unauthorized modifications made to the appliance.
 6. Shipping or freight charges to return products for warranty service to Aroma International Limited.
 7. Damage resulting from improper packing of products returned for warranty service.
-

If you reside in the United States or Canada and your Whirlpool® air purifier should fail within the first year of ownership or the motor fails in the second through fifth year:

1. Call our Customer Service Center **1-866-666-1168** (toll-free).
 2. Give the consultant your complete model and serial numbers.
 3. The consultant will identify the designated service center nearest your location.
 4. You will be responsible for insurance and freight or other transportation to our service center. Please include your name and address on a piece of paper along with a copy of the proof of purchase (register receipt, credit card charge slip, etc.). The air purifier should be properly packaged to avoid damage in transit since we will not be responsible for any such damage.
 5. Aroma International Limited will return the repaired unit, or at our option, an identical or comparable air purifier to your door free of charge.
-

AROMA INTERNATIONAL LIMITED SHALL NOT BE LIABLE FOR INCIDENTAL OR CONSEQUENTIAL DAMAGES.

Some states and provinces do not allow the exclusion or limitation of incidental or consequential damages, so this exclusion or limitation may not apply to you. This warranty gives you specific legal rights and you may also have other rights which vary from state to state and province to province.

Outside the 50 United States and Canada, this warranty does not apply. Contact your authorized dealer to determine if another warranty applies.

If you need service, first see "Troubleshooting." Additional help can be found by checking "Assistance or Service," or by calling our Customer Service Center at **1-866-666-1168**, from anywhere in the U.S.A. and Canada.

Keep this book and your sales slip together for future reference. You must provide proof of purchase and delivery date for in-warranty service.

Write down the following information about your air purifier to better help you obtain assistance or service if you ever need it. You will need to know your complete model number and serial number. The model and serial number label is located on the bottom of your air purifier.

Dealer name _____
Address _____
Phone number _____
Model number _____
Serial number _____
Purchase date _____
Delivery date _____



PURIFICADOR DE AIRE EN FORMA DE TORRE WHISPURE™

Manual de uso y cuidado

Si tiene preguntas respecto a las características, funcionamiento, rendimiento, partes, accesorios o servicio técnico,
llame al: **1-866-666-1168**
o visite nuestro sitio de Internet en **www.whirlpoolairpurifiers.com**

Para garantizar un uso adecuado de este aparato y por su seguridad, por favor, lea las siguientes instrucciones antes de operar este aparato.

Modelo N °. WPT60 / WPT80

ÍNDICE

SEGURIDAD DEL PURIFICADOR DE AIRE.....	2
REQUISITOS DE INSTALACIÓN.....	3
Requisitos eléctricos.....	3
Requisitos de ubicación.....	3
USO DEL PURIFICADOR DE AIRE.....	3
Uso de los controles.....	3
CUIDADO DEL PURIFICADOR DE AIRE.....	4
Limpieza.....	4
Reemplazo de los filtros.....	4
SOLUCIÓN DE PROBLEMAS.....	5
AYUDA O SERVICIO TÉCNICO.....	5
En los EE.UU. y Canadá.....	5
Filtros de repuesto.....	5
Garantía de silencio de 30 días o el reembolso de su dinero ...	5
GARANTÍA.....	6



Este producto obtuvo la designación de ENERGY STAR al haber cumplido con los estrictos lineamientos de eficiencia de energía establecidos por la Agencia de protección del medioambiente (EPA) de los Estados Unidos. Los filtros de aire de la habitación han demostrado el potencial para mejorar la calidad del aire y proporcionar beneficios para la salud. La EPA no respalda las afirmaciones del fabricante con respecto al grado en que un producto específico producirá aire interior más saludable.

La eficiencia de energía de este modelo que reúne las condiciones de ENERGY STAR se mide según la relación entre el CADR (Índice de emisión de aire limpio) para fumar del modelo y la energía eléctrica que consume, es decir CADR/Watt (CADR/Vatios).

SEGURIDAD DEL PURIFICADOR DE AIRE

Su seguridad y la seguridad de los demás es muy importante.

Hemos incluido muchos mensajes importantes de seguridad en este manual y en su electrodoméstico. Lea y obedezca siempre todos los mensajes de seguridad.



Este es el símbolo de advertencia de seguridad.

Este símbolo le llama la atención sobre peligros potenciales que pueden ocasionar la muerte o una lesión a usted y a los demás.

Todos los mensajes de seguridad irán a continuación del símbolo de advertencia de seguridad y de la palabra "PELIGRO" o "ADVERTENCIA". Estas palabras significan:

 **PELIGRO**

Si no sigue las instrucciones de inmediato, usted puede morir o sufrir una lesión grave.

 **ADVERTENCIA**

Si no sigue las instrucciones, usted puede morir o sufrir una lesión grave.

Todos los mensajes de seguridad le dirán el peligro potencial, le dirán cómo reducir las posibilidades de sufrir una lesión y lo que puede suceder si no se siguen las instrucciones.

INSTRUCCIONES IMPORTANTES DE SEGURIDAD

ADVERTENCIA: A fin de reducir el riesgo de incendio o de choque eléctrico, no use el purificador de aire con ningún dispositivo semiconductor para el control de la velocidad.

ADVERTENCIA: A fin de reducir el riesgo de incendio, de choque eléctrico o de daños personales, no use en una ventana.

ADVERTENCIA: Este electrodoméstico tiene un enchufe polarizado (una hoja es más ancha que la otra). Para reducir el riesgo de choque eléctrico, este enchufe ha sido diseñado para encajar en un contacto polarizado solamente de una manera. Si el enchufe no encaja por completo en el contacto, dé vuelta el enchufe. Si aun así no encaja, póngase en contacto con un electricista competente. No intente quitar esta característica de seguridad.

ADVERTENCIA: No opere ningún purificador de aire que tenga un cable o enchufe dañado. Deshágase del purificador de aire o devuélvalo a un lugar de servicio autorizado para que sea examinado y/o reparado.

Desenchufe el purificador de aire antes de darle servicio.

ADVERTENCIA: No pase el cable por debajo de la alfombra. No cubra el cable con tapetes, alfombras de pasillo o recubrimientos similares. No oriente el cable por debajo de muebles o aparatos. Acomode el cable alejado del área de paso y en lugares donde nadie pueda tropezar con este.

LEA Y GUARDE ESTAS INSTRUCCIONES

REQUISITOS DE INSTALACIÓN

Requisitos eléctricos

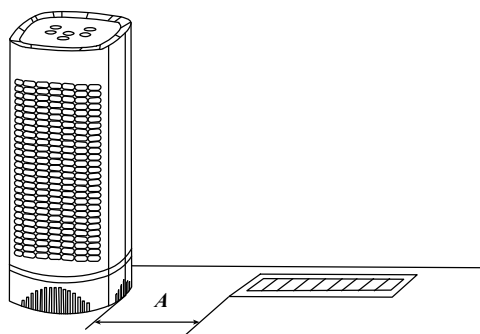
CONEXIÓN ELÉCTRICA

Para instalar su purificador de aire adecuadamente, compruebe el tipo de conexión eléctrica y siga las instrucciones que se indican a continuación:

- Enchufe el cable de suministro eléctrico de 2 terminales en un contacto a tierra de 120 Voltios.
- Se recomienda utilizar un fusible o un cortacircuitos retardador.
- Este electrodoméstico tiene un enchufe polarizado (una hoja es más ancha que la otra). Para reducir el riesgo de choque eléctrico, este enchufe ha sido diseñado para encajar en un contacto polarizado solamente de una manera. Si el enchufe no encaja por completo en el contacto, dé vuelta el enchufe. Si aun así no encaja, póngase en contacto con un electricista competente. No intente quitar esta característica de seguridad.

Requisitos de ubicación

- Coloque los aparatos en una superficie nivelada de al menos 6 pulgadas (15,2 cm) de distancia de fuentes térmicas tales como estufas o unidades de calefacción.
- No bloquee los orificios de aire ni coloque el purificador de aire sobre una superficie suave como una cama o un sofá.
- Hágalo funcionar solamente adentro.



A. 6" de espacio (15,2 cm) como mínimo

USO DEL PURIFICADOR DE AIRE

NOTA: Antes de poner a funcionar el purificador de aire, anote la fecha de instalación en el filtro HEPA. Bajo condiciones normales, el filtro HEPA deberá reemplazarse anualmente y el prefiltro deberá reemplazarse cada 3 meses. Para quitar y reemplazar cualquiera de los filtros, vea "Reemplazo de los filtros" en la sección "Cuidado del purificador de aire".



Uso de los controles

1. Enchufe el cable de suministro eléctrico de 2 terminales en un contacto a tierra de 120 Voltios. La luz indicadora de Power (Encendido) se pondrá roja (Espera).
2. Oprima Power para encender el purificador de aire. La luz de Power cambiará de color rojo a blanco.
3. Oprima Power para apagar el purificador de aire. La luz de Power cambiará de color blanco a rojo.

Velocidad del ventilador

Oprima FAN SPEED hasta que la luz indicadora de la velocidad deseada esté encendida.

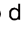
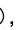


Velocidad del ventilador	Resultado
Baja	Mejor sonido del producto
Media	Potencia de limpieza más lenta
Alta	Potencia de limpieza máxima

Temporizador programable

El temporizador programable se puede encender o apagar, con las opciones de cuenta regresiva de 2, 4, 6 u 8 horas. Para ajustarlo, presione Timer hasta que la luz indicadora (2/4/6/8) de la cuenta regresiva deseada se encienda. Para salir, presione Timer hasta que todas las luces indicadoras estén apagadas.



NOTA: El purificador de aire se apaga automáticamente cuando pasa el tiempo programado.

Modo de Sleep (Dormir)

Oprima SLEEP  para activar el modo de Sleep (Dormir). El modo de Sleep funciona a velocidad baja (Low) del ventilador con todas las luces del panel de control atenuadas. Para salir, oprima SLEEP , SPEED  o POWER .

Bloqueo de controles

El bloqueo de controles bloquea los controles para evitar que los ajustes se cambien accidentalmente cuando el purificador de aire está encendido o apagado.

1. Oprima y sostenga SLEEP  por 3 segundos para bloquear. La luz indicadora del bloqueo de controles se encenderá. No se puede hacer ninguna selección.
2. Oprima y sostenga SLEEP  nuevamente por 3 segundos para desbloquear. La luz indicadora del bloqueo de controles se apagará. Ahora se pueden cambiar los ajustes y se puede encender o apagar la unidad.

Luces de estado del filtro

Las luces de estado del prefiltro y del filtro HEPA cambiarán a rojo cuando sea el momento de reemplazar los filtros. Vea "Reemplazo de los filtros" en la sección "Cuidado del purificador de aire".

CUIDADO DEL PURIFICADOR DE AIRE

ADVERTENCIA




Peligro de Choque Eléctrico

Desconecte el suministro de energía antes de darle mantenimiento.

Vuelva a colocar todos los componentes y paneles antes de hacerlo funcionar.


No seguir estas instrucciones puede ocasionar la muerte o choque eléctrico.

Limpieza

1. Presione POWER  para apagar el purificador de aire.
2. Desenchufe el purificador de aire o desconecte el suministro eléctrico.
3. Presione las lengüetas de liberación que están en la parte posterior del purificador de aire. Jale con cuidado la rejilla posterior lejos de la unidad y saquela.
4. Quite ambos filtros y déjelos a un lado. No intente lavar y volver a usar el filtro HEPA ni el prefiltro.
5. Limpie el purificador de aire con un paño suave húmedo.

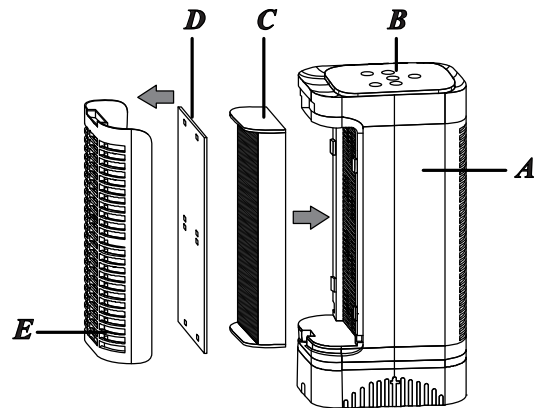
6. Lave con cuidado la rejilla posterior en agua jabonosa.

NOTA: La rejilla no es apta para lavavajillas.

7. Vuelva a ensamblar los filtros como se muestra en la ilustración anterior.
8. Coloque las lengüetas inferiores de la rejilla posterior en las ranuras que se encuentran en la base del purificador de aire. Presione la parte superior de la rejilla hasta que encaje en su lugar.
9. Enchufe el purificador de aire o vuelva a conectar el suministro eléctrico.
10. Oprima POWER  para encender el purificador de aire.


Reemplazo del filtro

NOTA: Las luces indicadoras del filtro, que están en la parte superior del purificador de aire, se encenderán en rojo y destellarán cuando llegue el momento de cambiar el prefiltro o el filtro HEPA. Para obtener un funcionamiento óptimo del purificador de aire y bajo condiciones normales, se recomienda reemplazar el prefiltro cada 3 meses y el filtro HEPA cada año. Vea "Filtros de repuesto" en la sección "Ayuda o servicio técnico".





A. Ensamblaje de la unidad central
B. Controles
C. Filtro HEPA
D. Prefiltro
E. Rejilla posterior

Reemplace el filtro regularmente. El uso de un filtro que no sea Whirlpool puede anular la garantía.

1. Presione POWER  para apagar el purificador de aire.
2. Desenchufe el purificador de aire o desconecte el suministro eléctrico.
3. Presione las lengüetas de liberación que están en la parte posterior del purificador de aire. Jale con cuidado la rejilla posterior lejos de la unidad y saquela.
4. Quite y reemplace el filtro indicado. Instale el nuevo filtro HEPA en la misma dirección indicada por la flecha ubicada en el marco del filtro. Instale el nuevo prefiltro, colocándolo sobre las lengüetas.

NOTA: No intente lavar y volver a usar el filtro HEPA ni el prefiltro.

5. Coloque las lengüetas inferiores de la rejilla posterior en las ranuras que se encuentran en la base del purificador de aire. Presione la parte superior de la rejilla hasta que encaje en su lugar.
6. Enchufe el purificador de aire o vuelva a conectar el suministro eléctrico.
7. Oprima POWER  para encender el purificador de aire.
8. Oprima PRE-FILTER o el botón HEPA FILTER  durante 3 segundos para apagar las luces indicadoras del filtro y restablecer el temporizador.

NOTA: Los filtros pueden necesitar ser reemplazados más frecuentemente en ambientes humeantes o polvorientos.

SOLUCIÓN DE PROBLEMAS

Primero intente las soluciones sugeridas aquí. Si necesita más ayuda o más recomendaciones, llame al 1-866-666-1168.

El purificador de aire no funciona

■ Verifique lo siguiente:

- ¿Está encendido el purificador de aire?
- ¿Está el cable eléctrico de dos terminales enchufado en un tomacorriente conectado a tierra?

Compruebe que el fusible del hogar esté fundido o que el circuito se haya disparado.

Reemplace el fusible o reinicie el disyuntor. Si el problema ocurre, póngase en contacto con un electricista.

Use un fusible o un cortacircuitos retardador.

AYUDA O SERVICIO TÉCNICO

Antes de solicitar ayuda o servicio técnico, por favor consulte la sección "Solución de problemas". Esto le podría ahorrar el costo de una visita de servicio técnico. Si considera que aún necesita ayuda, siga las instrucciones que aparecen a continuación.

Cuando llame, tenga a mano la fecha de compra y el número completo del modelo y de la serie de su electrodoméstico. Estos datos serán necesarios para responder a la solicitud.

En los EE.UU. y Canadá

Llame al Centro de atención al cliente sin costo alguno al: **1-866-666-1168.**

Nuestros consultores ofrecen ayuda para:

- Características y especificaciones de nuestra línea completa de electrodomésticos.
- Información sobre la instalación.
- Procedimientos de uso y mantenimiento.
- Venta de accesorios y partes para reparación.
- Asistencia al cliente especializada (habla hispana, deficiencias de audición, visión limitada, etc.).

- Recomendaciones con distribuidores locales, compañías que dan servicio y distribuidores de partes para reparación. Los técnicos de servicio designados están capacitados para cumplir con la garantía de producto y ofrecer servicio una vez que la garantía termine, en cualquier lugar de los Estados Unidos y Canadá.

Para localizar a una compañía de servicio designada en su área, también puede consultar la sección amarilla de su guía telefónica.

Filtros de repuesto

Puede pedir filtros llamando a nuestro Centro de atención al cliente al **1-866-666-1168.**

Visite nuestro sitio de Internet

www.whirlpoolairpurifiers.com.

NOTA: Para su conveniencia, esta información también está ubicada en el filtro HEPA.

Purificador de aire Modelo N°	Filtro HEPA Pieza de reemplazo N°	Prefiltro Pieza de reemplazo N°
WPT60(X)	1183600	817600
WPT80(X)	1183800	817800

Nota: (X) es opcional y asigna el color del modelo.

Garantía de silencio de 30 días o el reembolso de su dinero

Por 30 días a partir de la fecha de entrega, si su nuevo purificador de aire Whispure™ de Whirlpool® no le resulta más silencioso que su antiguo purificador de aire de alto rendimiento, Aroma International Limited lo recibirá de vuelta y le reembolsará a usted el precio total de la compra (no se incluyen los gastos de financiamiento y envío). Llame sin costo al Centro para el servicio del cliente al **1-866-666-1168** para los trámites de garantía de reembolso de dinero.

GARANTÍA LIMITADA DE CINCO AÑOS DEL FABRICANTE

GARANTÍA LIMITADA DE UN AÑO

Por un año a partir de la fecha de entrega, si el purificador de aire falla mientras haya sido operado y mantenido según las instrucciones adjuntas o provistas con el producto, Aroma International Limited reparará o, según nuestra opción, reemplazará su purificador de aire. La unidad de reemplazo está cubierta por nuestra garantía limitada de un año. Esta garantía no se aplica al filtro HEPA (Aire particulado altamente eficaz) ni al prefiltro de repuesto. Reemplace el filtro regularmente. El uso de un filtro que no sea Whirlpool puede anular la garantía. Guarde este libro y su comprobante de compra juntos para referencia futura. Usted deberá proporcionar el comprobante de la compra y la fecha de entrega para obtener servicio bajo la garantía.

GARANTÍA LIMITADA DEL SEGUNDO AL QUINTO AÑO EN EL MOTOR DEL PURIFICADOR DE AIRE

Por cinco años a partir de la fecha de entrega, si el motor del purificador de aire falla mientras haya sido operado y mantenido según las instrucciones adjuntas o provistas con el producto, Aroma International Limited reparará o, según nuestra opción, reemplazará su purificador de aire.

Aroma International Limited no pagará por:

1. Visitas de servicio técnico para enseñarle a usar su purificador de aire, para cambiar fusibles domésticos o para corregir la instalación eléctrica de la casa, para volver a fijar los cortacircuitos o para cambiar los filtros de aire que estén al alcance del propietario.
2. Reemplazo cuando se haya dado al purificador de aire un uso diferente al doméstico normal de una familia.
3. Daños causados por accidente, alteración, uso indebido, abuso, incendio, inundación, actos fortuitos, instalación incorrecta, instalación que no esté de acuerdo con los códigos eléctricos locales o el empleo de productos no aprobados por Aroma International Limited.
4. Piezas de repuesto, gastos de reparación y/o del reemplazo de un purificador de aire "con fallas" en unidades que se empleen fuera de los Estados Unidos y Canadá.
5. Reparaciones de piezas o sistemas como resultado de modificaciones no autorizadas que se hayan efectuado en el electrodoméstico.
6. Cargos por envío o flete para devolver productos a Aroma International Limited para el servicio de la garantía.
7. Daños causados por una manipulación inadecuada de los productos devueltos para servicio bajo la garantía.

Si usted reside en los Estados Unidos o Canadá, y su purificador de aire de Whirlpool® falla durante el primer año de adquisición o el motor falla durante el segundo al quinto año:

1. Llame a nuestro Centro de atención al cliente al **1-866-666-1168** (gratuito).
2. Dé al especialista los números completos del modelo y de la serie.
3. El especialista identificará el centro de servicio técnico designado más cercano a su domicilio.
4. Usted se deberá hacer cargo del seguro y flete u otro transporte hasta nuestro centro de servicio técnico. Sírvase incluir su nombre y domicilio en un papel junto con la copia del comprobante de compra (recibo de registradora, comprobante de pago de la tarjeta de crédito, etc.). El purificador de aire debe estar debidamente empaquetado para que no se dañe durante el transporte dado que no nos haremos cargo de ningún daño producido de esa manera.
5. Aroma International Limited le entregará la unidad reparada o, a nuestra opción, un purificador de aire idéntico o comparable en su domicilio libre de cargo.

AROMA INTERNATIONAL LIMITED NO SE RESPONSABILIZARÁ POR DAÑOS INCIDENTALES O CONSECUENTES.

Algunos estados y provincias no permiten la exclusión o limitación de daños incidentales o consecuentes, de modo que esta exclusión o limitación quizás no le corresponda. Esta garantía le otorga derechos legales específicos, y es posible que usted tenga también otros derechos, los cuales varían de un estado a otro y de una provincia a otra.

Esta garantía no tiene vigor fuera de los cincuenta estados de los Estados Unidos y Canadá. Póngase en contacto con su distribuidor autorizado para determinar si corresponde otra garantía.

Si necesita servicio, vea primero "Solución de Problemas". Podrá encontrar ayuda adicional consultando la sección "Ayuda o servicio técnico", llamando a nuestro Centro de atención al cliente al **1-866-666-1168** desde cualquier lugar de los EE.UU. y Canadá.

Guarde este libro y su comprobante de compra juntos para consulta futura. Para obtener el servicio de la garantía deberá proporcionar un comprobante de compra y la fecha de entrega del electrodoméstico.

Anote la siguiente información acerca de su purificador de aire para facilitar la obtención de asistencia o servicio si llegara a necesitarlo. Usted tendrá que saber el número completo del modelo y de la serie. La etiqueta con el número de modelo y de serie está ubicada en la parte inferior de su purificador de aire.

Nombre del distribuidor _____

Dirección _____

Número de teléfono _____

Número del modelo _____

Número de la serie _____

Fecha de compra _____

Fecha de entrega _____



PURIFICATEUR D'AIR À COLONNE WHISPURE™

Guide d'utilisation et d'entretien

Au Canada, pour assistance, installation ou service, composez le **1-866-666-1168**
ou visitez notre site Web **www.whirlpoolairpurifiers.com**

Pour garantir une utilisation correcte de cet appareil et pour votre sécurité, s'il vous plaît lire les instructions suivantes avant de faire fonctionner cet appareil.

Modèle No. WPT60 / WPT80

TABLE DES MATIÈRES

SÉCURITÉ DU PURIFICATEUR D'AIR	2
SPÉCIFICATIONS D'INSTALLATION	3
Spécifications électriques	3
Exigences d'emplacement.....	3
UTILISATION DU PURIFICATEUR D'AIR	3
Utilisation des commandes.....	3
ENTRETIEN DU PURIFICATEUR D'AIR	4
Nettoyage.....	4
Remplacement du filtre.....	4
DÉPANNAGE	5
ASSISTANCE OU SERVICE	5
Aux États-Unis et au Canada.....	5
Filtres de rechange.....	5
Garantie de silence de 30 jours ou argent remis	5
GARANTIE	6



Ce produit a reçu la certification ENERGY STAR en satisfaisant aux directives strictes de rendement énergétique établies par l'EPA aux É.-U. Les épurateurs d'air ambiant ont démontré le potentiel d'améliorer la qualité de l'air et d'offrir des avantages pour la santé. L'EPA n'endosse pas les allégations des fabricants concernant la mesure dans laquelle un produit spécifique produira un air intérieur plus sain.

Le rendement énergétique de ce modèle certifié ENERGY STAR est mesuré sur la base d'un ratio entre le débit d'air purifié (fumée) du modèle et l'électricité consommée, ou le ratio débit d'air purifié/Watt.

SÉCURITÉ DU PURIFICATEUR D'AIR

Votre sécurité et celle des autres est très importante.

Nous donnons de nombreux messages de sécurité importants dans ce manuel et sur votre appareil ménager. Assurez-vous de toujours lire tous les messages de sécurité et de vous y conformer.



Voici le symbole d'alerte de sécurité.

Ce symbole d'alerte de sécurité vous signale les dangers potentiels de décès et de blessures graves à vous et à d'autres.

Tous les messages de sécurité suivront le symbole d'alerte de sécurité et le mot "DANGER" ou "AVERTISSEMENT". Ces mots signifient :

 **DANGER**

Risque possible de décès ou de blessure grave si vous ne suivez pas immédiatement les instructions.

 **AVERTISSEMENT**

Risque possible de décès ou de blessure grave si vous ne suivez pas les instructions.

Tous les messages de sécurité vous diront quel est le danger potentiel et vous disent comment réduire le risque de blessure et ce qui peut se produire en cas de non-respect des instructions.

IMPORTANTES INSTRUCTIONS DE SÉCURITÉ

AVERTISSEMENT : Pour réduire le risque d'incendie ou de choc électrique, ne pas utiliser ce purificateur d'air avec un dispositif de réglage de vitesse à semi-conducteurs.

AVERTISSEMENT : Pour réduire le risque d'incendie, de choc électrique et des blessures, ne pas utiliser dans une fenêtre.

AVERTISSEMENT : Cet appareil comporte une fiche polarisée (avec une lame plus large que l'autre). Pour réduire le risque de choc électrique, cette fiche ne peut être insérée que dans un seul sens dans une prise polarisée. Si la fiche ne s'enfonce pas complètement dans la prise, inverser la fiche. Si la fiche ne s'introduit toujours pas, appeler un électricien qualifié. Ne pas tenter d'outrepasser ce dispositif de sécurité.

AVERTISSEMENT : Ne pas faire fonctionner un ventilateur dont le cordon ou la fiche est endommagé(e). Jeter le ventilateur ou le retourner à un centre de service agréé pour examen et/ou réparation.

Débrancher le purificateur d'air avant de procéder à l'entretien.

AVERTISSEMENT : Ne faites pas fonctionner le cordon sous les moquettes. Ne pas couvrir le cordon avec des bottes, des couvreurs ou des revêtements similaires. Ne placez pas le câble sous le mobilier ou les appareils électroménagers. Disposez le cordon loin de la zone de trafic et où il ne sera pas dérangé.

LIRE ET CONSERVER CES INSTRUCTIONS.

SPÉCIFICATIONS D'INSTALLATION

Spécifications électriques

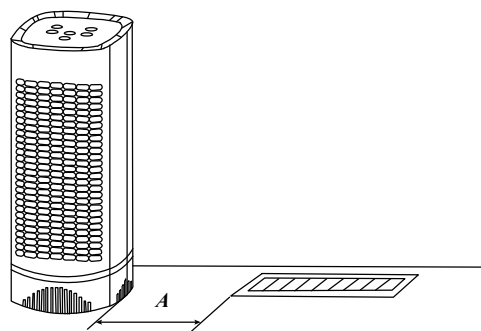
Raccordement électrique

Pour installer correctement votre purificateur d'air, vérifiez le type de connexion électrique et suivez les instructions ci-dessous:

- Brancher le cordon d'alimentation à 2 fiches dans une prise de 120 V reliée à la terre.
- On recommande l'emploi d'un disjoncteur ou fusible temporisé.
- Cet appareil comporte une fiche polarisée (avec une lame plus large que l'autre). Pour réduire le risque de choc électrique, cette fiche ne peut être insérée que dans un seul sens dans une prise polarisée. Si la fiche ne s'enfonce pas complètement dans la prise, inverser la fiche. Si la fiche ne s'introduit toujours pas, appeler un électricien qualifié. Ne pas tenter d'outrepasser ce dispositif de sécurité.

Exigences d'emplacement

- Placer les appareils dans une surface plane à au moins 6" (15,2 cm) des sources de chaleur telles que cuisinières ou chaufferettes.
- Ne pas bloquer les événements ni placer le purificateur d'air sur une surface molle telle qu'un lit ou un canapé.
- Ce produit est conçu pour utilisation en intérieur seulement.



A. Dégageant minimum de 6" (15,2 cm)

UTILISATION DU PURIFICATEUR D'AIR

REMARQUE : Avant de faire fonctionner le purificateur d'air, inscrire la date d'installation sur le filtre HEPA. Dans les conditions de fonctionnement normal, le filtre HEPA doit être remplacé tous les ans et le préfiltre à intervalles de 3 mois. Pour retirer et remplacer un des filtres, voir "Remplacement du filtre" dans la section "Entretien du purificateur d'air".



Utilisation des commandes

1. Brancher le cordon d'alimentation à 2 fiches dans une prise de 120 V reliée à la terre.
2. Appuyer sur POWER pour mettre le purificateur d'air en marche. Le témoin lumineux de POWER passe de rouge à blanc.
3. Appuyer sur POWER pour arrêter le purificateur d'air. Le témoin lumineux de POWER passe de blanc à rouge.

Vitesse du ventilateur

Appuyer sur la touche FAN SPEED jusqu'à ce que le témoin lumineux pour la vitesse souhaitée est allumé.



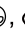
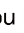
Vitesse du ventilateur	Résultat
(L) Bas	Niveau sonore idéal de l'appareil
(M) Moyenne	Puissance d'épuration plus faible
(H) Élevée	Puissance d'épuration maximale

Minuterie programmable

La minuterie programmable peut être allumée ou éteinte, offrant des options de compte à rebours de 2, 4, 6, ou 8 heures. Pour programmer la minuterie, appuyer sur la touche Timer jusqu'à ce que le témoin lumineux (2/4/6/8) s'allume au compte à rebours souhaité. Pour quitter la programmation de la minuterie, appuyer sur la touche Timer jusqu'à ce que les témoins lumineux soient éteints.



REMARQUE : Le purificateur d'air s'éteint automatiquement lorsque le temps programmé est expiré.

Mode de veille

Appuyer sur SLEEP  pour activer le mode de veille. Le mode de veille fonctionne avec le ventilateur à vitesse faible (L) et tous les témoins lumineux sont sombres sur panneau de commande. Pour quitter le mode de veille, appuyer sur touche SLEEP , SPEED , ou POWER .

Verrouillage des commandes

La fonction de verrouillage des commandes empêche une modification accidentelle du réglage des commandes lorsque le purificateur d'air est en marche.

1. Appuyer pendant 3 secondes sur la touche SLEEP  pour le verrouillage.
Le témoin lumineux de verrouillage des commandes s'allume. On ne peut ensuite faire aucune sélection.
2. Appuyer de nouveau pendant 3 secondes sur la touche SLEEP  pour déverrouiller. Le témoin lumineux de verrouillage des commandes s'éteint. Les réglages peuvent maintenant être modifiés et l'appareil peut être allumé ou éteint.

Témoins lumineux du statut des filtres

Les témoins du statut pour le préfiltre et le filtre HEPA passent au rouge lorsqu'il est temps de remplacer les filtres. Voir la section "Remplacement du filtre" dans la section "Entretien du purificateur d'air".

ENTRETIEN DU PURIFICATEUR D'AIR

AVERTISSEMENT




Risque de choc électrique

Déconnecter la source de courant électrique avant l'entretien.

Replacer pièces et panneaux avant de faire la remise en marche.


Le non-respect de ces instructions peut causer un décès ou un choc électrique.

Nettoyage

1. Appuyer sur POWER  pour éteindre le purificateur d'air.
2. Débrancher le purificateur d'air ou déconnecter la source de courant électrique.
3. Appuyez sur les onglets de dégagement situés à l'arrière du purificateur d'air. Détacher la grille arrière de l'appareil en la retirant avec précaution.
4. Retirer les deux filtres et les mettre de côté. NE PAS essayer de laver et de réutiliser le filtre HEPA ou le préfiltre.
5. Nettoyer le purificateur d'air avec un linge doux humide.

6. Laver soigneusement la grille arrière à l'eau savonneuse.

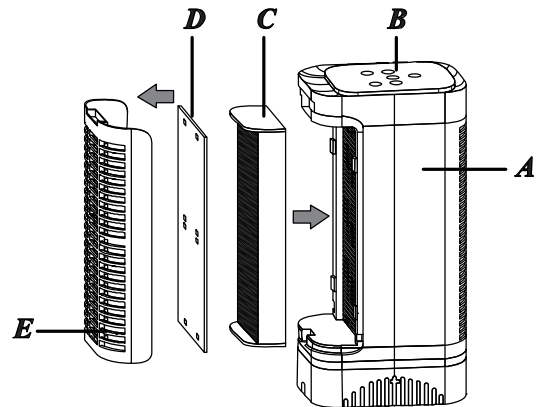
REMARQUE : La grille ne peut pas être lavée au lave-vaisselle.

7. Réassembler les filtres tel qu'indiqué sur l'illustration précédente.
8. Placer les volets inférieurs de la grille arrière dans les fentes inférieures de la base du purificateur d'air. Appuyer sur le dessus de la grille jusqu'à ce que la grille soit bien en place.
9. Brancher le purificateur d'air ou reconnecter la source de courant électrique.
10. Appuyer sur POWER  pour mettre le purificateur d'air en marche.

Remplacement du filtre


REMARQUE : Les témoins lumineux situés sur le purificateur d'air s'allument en rouge et clignent lorsqu'il est temps de remplacer le préfiltre ou le filtre HEPA. Pour assurer un fonctionnement plus efficace du purificateur d'air, nous vous recommandons de remplacer le préfiltre tous les 3 mois et le filtre HEPA tous les ans.

Voir "Filtres de rechange" dans la section "Assistance ou service".





A. Caisse principale B. Commandes C. Filtre HEPA
D. Préfiltre E. Grille arrière

Remplacez le filtre régulièrement. L'utilisation d'un filtre non-Whirlpool peut annuler la garantie.

1. Appuyer sur POWER  pour éteindre le purificateur d'air.
2. Débrancher le purificateur d'air ou déconnecter la source de courant électrique.
3. Appuyez sur les onglets de dégagement situés à l'arrière du purificateur d'air. Détacher la grille arrière de l'appareil en la retirant avec précaution.
4. Retirer et remplacer le filtre signalé. Installer le nouveau filtre HEPA dans le sens de la flèche située sur le châssis du filtre. Installer le nouveau préfiltre en le plaçant sur les volets.

REMARQUE : Ne pas essayer de laver et de réutiliser le filtre HEPA ou le préfiltre.

5. Placer les volets inférieurs de la grille arrière dans les fentes inférieures de la base du purificateur d'air. Appuyer sur le dessus de la grille jusqu'à ce que la grille soit bien en place.
6. Brancher le purificateur d'air ou reconnecter la source de courant électrique.
7. Appuyer sur POWER  pour mettre le purificateur d'air en marche.
8. Appuyer sur le bouton PRE-FILTER (Réinitialisation du préfiltre) ou HEPA FILTER (Réinitialisation du filtre HEPA)  pendant 3 secondes pour éteindre le(s) voyant(s), puis régler à nouveau la minuterie.

REMARQUE : Les filtres doivent être remplacés le plus souvent dans des environnements enfumés ou poussiéreux.

DÉPANNAGE

Essayez d'abord les solutions proposées ici. Si vous avez besoin d'aide supplémentaire ou d'autres recommandations, composez le 1-866-666-1168.

Le purificateur d'air est en panne

■ Vérifier ce qui suit :

- Le purificateur d'air est-il allumé?
- Le cordon d'alimentation à 2 alvéoles est-il branché dans une prise reliée à la terre?

Vérifiez que le fusible domestique est soufflé ou que le circuit est déclenché.

Remplacer le fusible ou réenclencher le disjoncteur. Si le problème se produit, contactez un électricien. Utiliser un fusible temporisé ou un disjoncteur.

ASSISTANCE OU SERVICE

Avant de faire un appel pour assistance ou service, veuillez vérifier la section "Dépannage". Cette vérification peut vous faire économiser le coût d'une intervention de dépannage. Si vous avez encore besoin d'aide, suivez les instructions ci-dessous.

Avant d'appeler, vous devez connaître la date d'achat et les numéros de modèle et de série complets de votre appareil. Ces données seront nécessaires pour répondre à la demande.

Aux États-Unis et au Canada

Appeler sans frais au Centre du service à la clientèle au : **1-866-666-1168**

Nos consultants peuvent vous aider sur les points suivants :

- Caractéristiques et spécifications de notre gamme complète d'appareils ménagers.
- Renseignements sur l'installation.
- Procédures d'utilisation et d'entretien.
- Vente d'accessoires et de pièces de rechange.
- Assistance spécialisée au client (langue espagnole, malentendants, malvoyants, etc.).

- Orientation vers des concessionnaires, compagnies de service de réparation et distributeurs de pièces de rechange locaux. Les techniciens de service désignés sont formés pour respecter la garantie des produits et offrir un service après garantie partout aux États-Unis et au Canada.

Pour localiser la compagnie de service désignée dans votre région, vous pouvez également consulter les Pages jaunes.

Filtres de rechange

Vous pouvez commander des filtres de rechange en communiquant sans frais avec notre Centre de service à la clientèle au **1-866-666-1168**.

Visitez notre site Web www.whirlpoolairpurifiers.com.

REMARQUE : Cette information est également inscrite sur le filtre HEPA pour des raisons de commodité.

Purificateur d'air	Filtre HEPA	Préfiltre
Modèle n°	Pièce de rechange n°	Pièce de rechange n°
WPT60(X)	1183600	817600
WPT80(X)	1183800	817800

Remarque : (X) représente une couleur de modèle facultative.

Garantie de silence de 30 jours ou argent remis

Pendant 30 jours à compter de la date de livraison, si vous n'êtes pas complètement satisfait(e) car votre nouveau purificateur d'air Whirlpool® Whispure™ n'est pas plus silencieux que votre purificateur d'air haute efficacité précédent, Aroma International Limited le reprendra et vous remboursera le plein prix d'achat. (Frais de finance et d'expédition non inclus.) Contacter le Centre de service à la clientèle au numéro sans frais **1-866-666-1168** pour obtenir les directives à suivre pour la garantie de remboursement.

GARANTIE LIMITÉE DE CINQ ANS DU FABRICANT

GARANTIE LIMITÉE DE UN AN

Pendant un an à compter de la date de livraison, si le purificateur d'air tombe en panne alors qu'il est utilisé et entretenu conformément aux instructions jointes à ou fournies avec le produit, Aroma International Limited, à sa discrétion, réparera ou remplacera le purificateur d'air. L'appareil de remplacement sera couvert par notre garantie limitée de un an. Cette garantie ne couvre pas le filtre de remplacement HEPA (Haute efficacité—matières en suspension) ou le pré-filtre. Remplacez le filtre régulièrement. L'utilisation d'un filtre non-Whirlpool peut annuler la garantie. Conservez ce manuel et votre reçu de vente ensemble pour référence ultérieure. Pour le service sous garantie, vous devez présenter un document prouvant la date d'achat et de livraison.

GARANTIE LIMITÉE DE 5 ANS SUR LE MOTEUR DU PURIFICATEUR D'AIR

Pendant cinq ans à compter de la date de livraison, si le moteur du purificateur d'air tombe en panne alors qu'il est utilisé et entretenu conformément aux instructions jointes à ou fournies avec le produit, Aroma International Limited réparera ou remplacera à sa discrétion le purificateur d'air.

Aroma International Limited ne paiera pas pour :

1. Visite de service pour donner des instructions concernant l'utilisation du purificateur d'air, remplacer des fusibles, rectifier le câblage, réenclencher les disjoncteurs ou remplacer les filtres à air accessibles au propriétaire.
2. Remplacement lorsque votre purificateur d'air est utilisé autrement qu'en utilisation domestique normale, unifamiliale.
3. Les dommages imputables à : accident, modification, usage impropre ou abusif, incendie, inondation, actes de Dieu, installation fautive ou installation non conforme aux codes d'électricité ou de plomberie, ou l'utilisation de produits non approuvés par Aroma International Limited.
4. Les frais de pièces de rechange et de main-d'oeuvre de réparation d'un purificateur d'air "défaillant" pour les appareils utilisés en dehors des États-Unis et du Canada.
5. Les réparations aux pièces ou systèmes résultant d'une modification non autorisée faite à l'appareil.
6. Les frais d'expédition ou de transport pour retourner des produits à Aroma International Limited pour le service sous garantie.
7. Les dommages résultant d'un emballage défectueux des produits retournés pour le service sous garantie.

Si vous résidez aux États-Unis ou au Canada et que votre purificateur d'air Whirlpool® tombe en panne durant la première année ou si le moteur tombe en panne de la deuxième à la cinquième année inclusivement :

1. Appelez sans frais le Centre de service à la clientèle au **1-866-666-1168**.
2. Indiquez au représentant les numéros complets de modèle et de série.
3. Le représentant localisera le centre de service désigné le plus près de chez vous.
4. L'assurance, le fret ou tout autre transport jusqu'à notre centre de service relèvent de votre responsabilité. Veuillez indiquer vos nom et adresse sur un morceau de papier avec une copie de votre preuve d'achat (reçu de caisse, reçu de carte de crédit, bordereau d'achat, etc.). Le purificateur d'air doit être correctement emballé pour éviter tout dommage pendant le transport puisque nous ne pourrions être tenus responsables d'un tel dommage.
5. Aroma International Limited retournera à votre domicile l'appareil réparé ou, à sa discrétion, un purificateur d'air identique ou comparable, et ce sans frais.

AROMA INTERNATIONAL LIMITED N'ASSUME AUCUNE RESPONSABILITÉ POUR LES DOMMAGES FORTUITS OU INDIRECTS.

Certains États et certaines provinces ne permettent pas l'exclusion ou la limitation des dommages fortuits ou indirects de sorte que cette exclusion ou limitation peut ne pas être applicable dans votre cas. Cette garantie vous confère des droits juridiques spécifiques et vous pouvez également jouir d'autres droits qui peuvent varier d'un État à l'autre et d'une province à l'autre.

À l'extérieur du Canada et des 50 États des États-Unis, cette garantie ne s'applique pas. Contactez votre marchand autorisé pour déterminer si une autre garantie s'applique.

Si vous avez besoin d'un dépannage, consultez d'abord la section "Dépannage". Vous pouvez trouver de l'aide supplémentaire à la section "Assistance ou Service" ou en appelant notre Centre de service à la clientèle au **1-866-666-1168**, de n'importe où aux É.-U. et au Canada.

Conservez ce manuel et votre reçu de vente ensemble pour référence ultérieure. Pour le service sous garantie, vous devez présenter un document prouvant la date d'achat et de livraison.

Inscrivez les renseignements suivants au sujet de votre purificateur d'air pour mieux vous aider à obtenir assistance ou service en cas de besoin. Vous devrez connaître le numéro de modèle et le numéro de série au complet. L'étiquette des numéros de modèle et de série est située au-dessous de votre purificateur d'air.

Nom du marchand _____

Adresse _____

Numéro de téléphone _____

Numéro de modèle _____

Numéro de série _____

Date d'achat _____

Date de livraison _____

